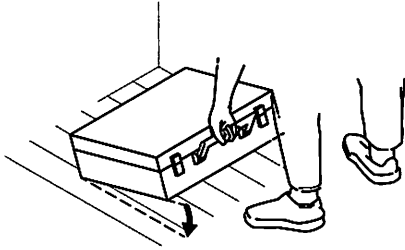


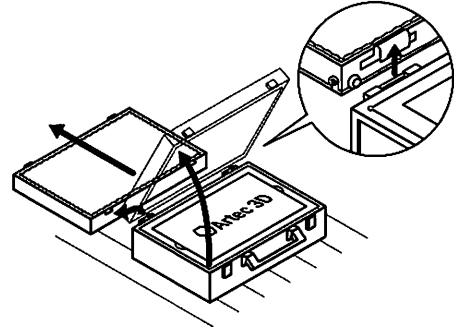
# Quick Recalibration Guide

Recalibration should be performed from a distance of more than 60 cm from the Board.  
Please follow all instructions carefully

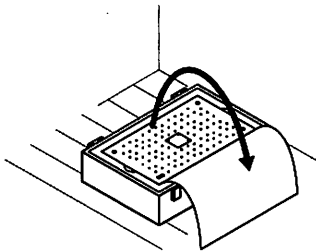
- 1** Place the case with the Calibration Board on the floor



- 2** Carefully detach the lid from the case



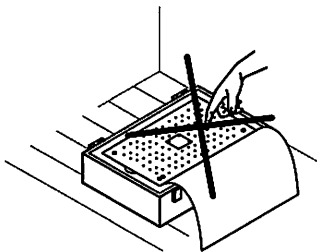
- 3** Remove the protective cover from the Board



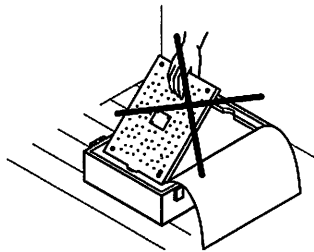
- 4** Scan this QR-code to visit our website for further steps to recalibrate the Artec Leo



**!** Do not touch the board, scratch it, or cause any mechanical impact



Do not take the Board out of the case to avoid damaging the markings



Do not expose the Calibration Board to direct sunlight  
Maintain an ambient temperature of ~20-23 degrees Celsius

